



File was found and ready to download!

UPDATED 14 HOURS AGO

Fastest Source: [usenet.nl](https://www.usenet.nl)

Click the **download button** and select one of the found **cloud sources**.

6.4



2865 VIEWS

Download 

 SECURE SCANNED

You need to [log in](#) before you can post comments.



Navigation



Registration



FAQ

[Barrier Maintenance Program](#)



## 6000HD-19 Automatic Barrier

### Part of the **6000 BARRIER RANGE**

#### DESCRIPTION



PLUG & PLAY  
INSTALLATION

Skirts | Hi-Bars | LEDs | Sensors | Plug & Play

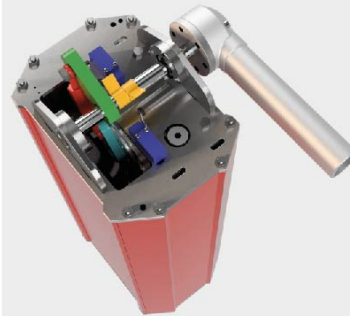
- 100% duty cycle heavy industrial usage
- Designed to be safe yet secure
- Single Phase Supply
- Plug & Play installation
- Programmable control panel c/w fault diagnostic on screen display
- Highest specification of components are ONLY used
- Integrates with other devices to make a secure perimeter
- Aluminium construction for long lasting/maintenance free performance
- Dual safety control for vehicles so making safe and reliable
- A VERY easy to use manual release mechanism which requires no tools in the event of power failure.

#### 6000 ADDED BENEFITS

- Ease of installation
- Low maintenance
- 99.9% Access Control compat
- Safe trusted program logic
- Accepts 2 8k2 CAT3 safety
- Designed and built to last
- Effective security deterrent

#### OPTIONAL EXTRAS

- LED Traffic lights
- Articulated Arm
- Bottom Skirt/Hi-Bar Skirting
- Warning Signage
- Pogo Tip Support



#### "INDUSTRY STANDARD"

Our barriers have been classed as the best in the industry. It has been designed to last using the best materials and components that we can buy. As with all our products they are 100% Duty Cycle



#### ABSOLUTE CONTROL

The 6000 auto barriers feature a Feig control panel that is far more advanced for safety and motion than its rivals

#### THE UK'S No.1 TRIED, TESTED & TRUSTED AUTOMATIC BARRIERS

Our designs use the latest technology to maintain the barriers smooth operation, via an integral frequency inverter driven motor and gearbox drive, which only requires a single phase supply, providing a smooth consistent operation.

It is controlled by a Feig Control Board, which can be programmed to suit any site configuration & form of access control requirements, therefore allowing speedy installation and no return visits to modify the programmes.

The power input to our automatic barrier is 230v controlling a three phase motor, hence enables us to offer reliability and high torque. With this control panel and gearbox design, we do not require any springs or counterweights to assist in the operation of the barriers.

Our aluminium externally placed control cabinet has been designed to stand out from the rest. Its sleek looks are achieved by investing heavily into aluminium extrusions, which ensures product longevity, making it look as good as the day it was installed.

[Barrier Maintenance Program](#)



File was found and ready to download!

UPDATED 14 HOURS AGO

Fastest Source: [usenet.nl](#)

Click the **download button** and select one of the found **cloud sources**.

6.4



2865 VIEWS

Download 

 SECURE SCANNED

You need to [log in](#) before you can post comments.



Navigation



Registration



FAQ

---

The aluminum Flood Panel™ supplied for your project are flood barriers that will last for.

Simply click on the format desired to start the download Windows Media Player QuickTime Player Specified Technologies Inc.. Create 3D particle grids and objects with Trapcode Form from Red Giant Trapcode form 2.. 2 download Barrier Maintenance TechnicianUsername \* Password \* Remember my login Take control of barrier maintenance with the Electronic Barrier Maintenance Program Unsealed openings in rated walls and floors are a leading source of Joint Commission citations in healthcare facilities.. EBMP barrier maintenance solution powered by Mobile Data Collection Software

[Xone 4d ableton mapping downloads](#)

For its own preventative maintenance/service program for their ACP USCP Vehicle Barrier Maintenance is available as a contract vehicle to all U. [scaricare Inventor Nesting 2019 gratis 64 bits IT](#)



## 6000HD-19 Automatic Barrier

### Part of the **6000 BARRIER RANGE**

#### DESCRIPTION



Skirts | Hi-Bars | LEDs | Sensors | Plug & Play

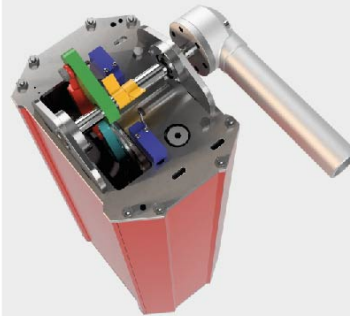
- 100% duty cycle heavy industrial usage
- Designed to be safe yet secure
- Single Phase Supply
- Plug & Play installation
- Programmable control panel c/w fault diagnostic on screen display
- Highest specification of components are ONLY used
- Integrates with other devices to make a secure perimeter
- Aluminium construction for long lasting/maintenance free performance
- Dual safety control for vehicles so making safe and reliable
- A VERY easy to use manual release mechanism which requires no tools in the event of power failure.

#### 6000 ADDED BENEFITS

- Ease of installation
- Low maintenance
- 99.9% Access Control compat
- Safe trusted program logic
- Accepts 2 8k2 CAT3 safety
- Designed and built to last
- Effective security deterrent

#### OPTIONAL EXTRAS

- LED Traffic lights
- Articulated Arm
- Bottom Skirt/Hi-Bar Skirting
- Warning Signage
- Pogo Tip Support



#### "INDUSTRY STANDARD"

Our barriers have been classed as the best in the industry. It has been designed to last using the best materials and components that we can buy. As with all our products they are 100% Duty Cycle



#### ABSOLUTE CONTROL

The 6000 auto barriers feature a Feig control panel that is far more advanced for safety and motion than its rivals

#### THE UK'S No.1 TRIED, TESTED & TRUSTED AUTOMATIC BARRIERS

Our designs use the latest technology to maintain the barriers smooth operation, via an integral frequency inverter driven motor and gearbox drive, which only requires a single phase supply, providing a smooth consistent operation.

It is controlled by a Feig Control Board, which can be programmed to suit any site configuration & form of access control requirements, therefore allowing speedy installation and no return visits to modify the programmes.

The power input to our automatic barrier is 230v controlling a three phase motor, hence enables us to offer reliability and high torque. With this control panel and gearbox design, we do not require any springs or counterweights to assist in the operation of the barriers.

Our aluminium externally placed control cabinet has been designed to stand out from the rest. Its sleek looks are achieved by investing heavily into aluminium extrusions, which ensures product longevity, making it look as good as the day it was installed.

[Password Rapidshare Premium Account 2012 Dodge](#)

[Torrent newport beach saison 1 french](#)

Properly installing Barrier Maintenance Technician\* Somerville, NJ 08876 USA \* T: 908. [code alarm catx4 owners manual](#)

[Common Arrangement Of Work Sections For Building Works Pdf File](#)

526 8000 \* Toll Free: 800 992 1180 \* Copyright 2003-2007 Specified Technologies Inc.. Installation & Maintenance Maintenance and inspection program HCC Fire Barrier Management provides the training and support to implement an effective in-house firestopping barrier management program.. S Durga ashtakam in tamil pdf Take control of barrier maintenance with the Electronic Barrier Maintenance Program Unsealed openings in rated walls and floors are a.. Helps assure compliance \* Controlling the processes that create the openings in your facility \* Managing the people who perform the work \* Simplifying the firestopping process \* Providing more effective use of existing openings \* Providing a dynamic assessment of conditions at all times Check out this video which explains the process.. The Electronic Barrier Maintenance Program (eBMP) can make this problem a thing of the past. cea114251b [Free Fun Online Games For Friends To Play Together](#)

cea114251b

[Microsoft Office 2007 Professional Torrent Tpb](#)